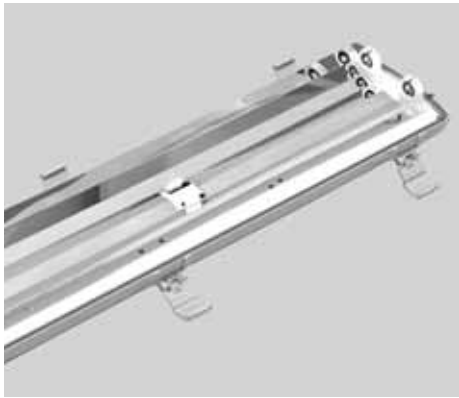


FLP-TV





Parabolic Aluminum Reflector



Connection Spring



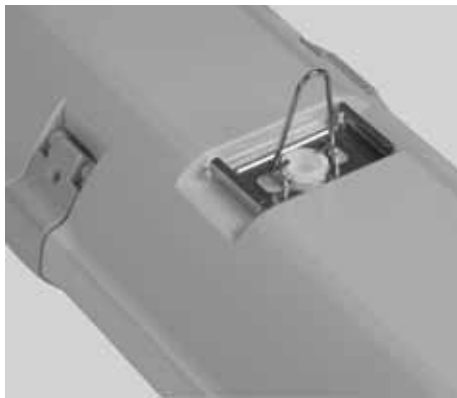
Plastic Cover Mounting Clips



Stainless Cover Mounting Clips



Ceiling Mounting Apparatus



Steel Hook

FLP-TV and FLP-AC waterproof fixtures can be attached to each other easily with a connection spring. The body of the fixture is made of Impact-resistant polycarbonate injection. The body is fitted with flush clips to attach the diffuser. There are two clips choices: polyamide with glass fiber and stainless steel. The reflector clicks onto the body through a distance holder made of polyamide. In a high ceiling installation, an additional parabolic aluminum reflector which alters the luminous flux can be attached to the fixture. The diffuser is made of plastic injection with two options: transparent acrylic and transparent polycarbonate.

Waterproof

Fixtures

Proof that elegance and technology can be combined... The dream of using waterproof fixtures in decorative surroundings has become a reality. They meet every need with their polycarbonate and acrylic alternatives.

WATERPROOF FIXTURES / FLP-TV



FLP-TV/1x



Description

Diffuser: The diffuser is made of UV stabilized, transparent polycarbonate material.
Reflector: The reflector unit has been painted with white polyester and manufactured of 0,6 mm thick DKP steel sheet. It is clipped onto the housing with locking equipment.

Code	Lamp	Color
FLP-TV/114	1x14W FH	Gray
FLP-TV/128	1x28W FH	Gray
FLP-TV/154	1x54W FQ	Gray
FLP-TV/135	1x35W FH	Gray
FLP-TV/149	1x49W FQ	Gray
FLP-TV/180	1x80W FQ	Gray
FLP-TV/118	1x18W L	Gray
FLP-TV/136	1x36W L	Gray
FLP-TV/158	1x58W L	Gray

Accessories
Aluminum Reflector

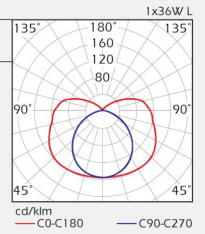
Box Dimensions

FLP-TV/114-118	120x 685x105 mm
FLP-TV/128-154-136	120x1295x105 mm
FLP-TV/135-158	120x1595x105 mm
FLP-TV/149-180	120x1595x105 mm

Weight

FLP-TV/114	1.140 gr
FLP-TV/128-154	2.870 gr
FLP-TV/135-149-180	2.570 gr
FLP-TV/118	1.450 gr
FLP-TV/136	2.600 gr
FLP-TV/158	3.150 gr

Protection: IP66



FLP-TV/2x



Description

Diffuser: The diffuser is made of UV stabilized, transparent polycarbonate material. It has injection moulded with smooth outer surface and prismatic inner surface.
Reflector: The reflector unit has been painted with white polyester and manufactured of 0,6 mm thick DKP steel sheet. It is clipped onto the housing with locking equipment.

Code	Lamp	Color
FLP-TV/214	2x14W FH	Gray
FLP-TV/228	2x28W FH	Gray
FLP-TV/254	2x54W FQ	Gray
FLP-TV/235	2x35W FH	Gray
FLP-TV/249	2x49W FQ	Gray
FLP-TV/280	2x80W FQ	Gray
FLP-TV/218	2x18W L	Gray
FLP-TV/236	2x36W L	Gray
FLP-TV/258	2x58W L	Gray

Accessories
Aluminum Reflector

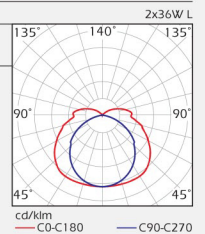
Box Dimensions

FLP-TV/214-218	155x 685x110 mm
FLP-TV/228-254-236	155x1295x110 mm
FLP-TV/235-258	155x1595x110 mm
FLP-TV/249-280	155x1595x110 mm

Weight

FLP-TV/214	1.250 gr
FLP-TV/228-254	2.330 gr
FLP-TV/235-249-280	1.450 gr
FLP-TV/218	1.850 gr
FLP-TV/236	3.600 gr
FLP-TV/258	4.850 gr

Protection: IP66



Dimensions



Code	a	b
FLP-TV 114-118	662 mm	95 mm
FLP-TV 128-154-136	1272 mm	95 mm
FLP-TV 135-158-149-180	1572 mm	95 mm
FLP-TV 214-218	662 mm	145 mm
FLP-TV 228-254-236	1272 mm	145 mm
FLP-TV 235-258-249-280	1572 mm	145 mm

WATERPROOF FIXTURES / FLP-AC



FLP-AC/1x



Description

Diffuser: The diffuser is made of transparent acrylic material.
Reflector: The reflector unit has been painted with white polyester and manufactured of 0.6 mm thick DKP steel sheet. It is clipped onto the housing with locking equipment.

Code	Lamp	Color
FLP-AC/114	1x14W FH	Gray
FLP-AC/128	1x28W FH	Gray
FLP-AC/154	1x54W FO	Gray
FLP-AC/135	1x35W FH	Gray
FLP-AC/149	1x49W FO	Gray
FLP-AC/180	1x80W FO	Gray
FLP-AC/118	1x18W L	Gray
FLP-AC/136	1x36W L	Gray
FLP-AC/158	1x58W L	Gray

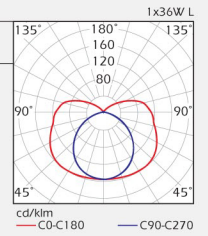
Accessories
Aluminum Reflector

Box Dimensions

FLP-AC/114-118	120x 685x105 mm
FLP-AC/128-154-136	120x1295x105 mm
FLP-AC/135-158	120x1595x105 mm
FLP-AC/149-180	120x1595x105 mm

Weight

FLP-AC/114	1.140 gr
FLP-AC/128-154	2.870 gr
FLP-AC/135-149-180	2.570 gr
FLP-AC/118	1.450 gr
FLP-AC/136	2.600 gr
FLP-AC/158	3.150 gr



Protection: **IP66**

FLP-AC/2x



Description

Diffuser: The diffuser is made of transparent acrylic material.
Reflector: The reflector unit has been painted with white polyester and manufactured of 0.6 mm thick DKP steel sheet. It is clipped onto the housing with locking equipment.

Code	Lamp	Color
FLP-AC/214	2x14W FH	Gray
FLP-AC/228	2x28W FH	Gray
FLP-AC/254	2x54W FO	Gray
FLP-AC/235	2x35W FH	Gray
FLP-AC/249	2x49W FO	Gray
FLP-AC/280	2x80W FO	Gray
FLP-AC/218	2x18W L	Gray
FLP-AC/236	2x36W L	Gray
FLP-AC/258	2x58W L	Gray

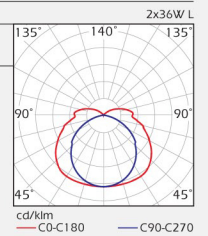
Accessories
Aluminum Reflector

Box Dimensions

FLP-AC/214-218	155x 685x110 mm
FLP-AC/228-254-236	155x1295x110 mm
FLP-AC/235-258	155x1595x110 mm
FLP-AC/249-280	155x1595x110 mm

Weight

FLP-AC/214	1.250 gr
FLP-AC/228-254	2.330 gr
FLP-AC/235-249-280	1.450 gr
FLP-AC/218	1.850 gr
FLP-AC/236	3.600 gr
FLP-AC/258	4.850 gr



Protection: **IP66**



Dimensions



Code	a	b
FLP-AC 114-118	662 mm	95 mm
FLP-AC 128-154-136	1272 mm	95 mm
FLP-AC 135-158-149-180	1572 mm	95 mm
FLP-AC 214-218	662 mm	145 mm
FLP-AC 228-254-236	1272 mm	145 mm
FLP-AC 235-258-249-280	1572 mm	145 mm